

MIKRO STRUŽENJE

Posebna ponudba



ASIGR tip S

Mikro nož za utore



03

ASIBR tip T

Mikro nož za izvrtine



03

ASIFR tip A

Mikro nož za čelno poglabljanje



04

ASITR tip V

Navojni mikro nož



04

ASIGR tip R

Radijsni mikro nož
za utore

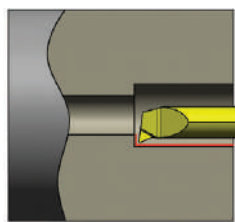


04

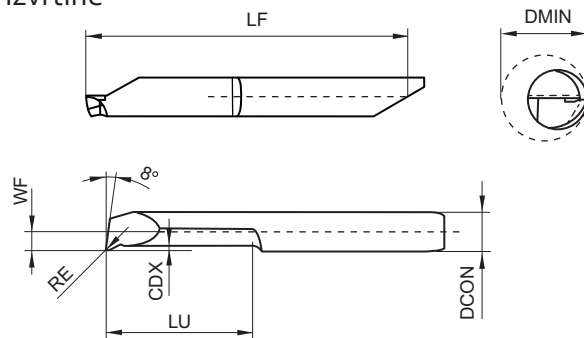
Do prodaje zalog!

ASIBR tip T Mikro nož za izvrtine

ACHTECK



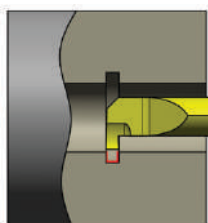
AP220U



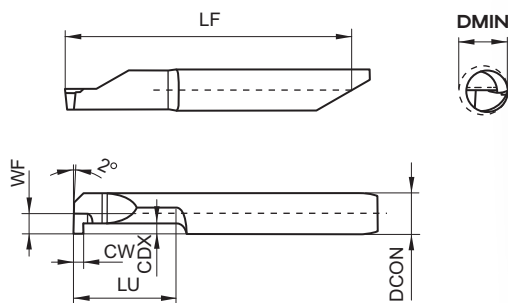
Kat. št.	Oznaka	DCON	RE	WF	LF	DMIN	LU	CDX	Cena/kos
80090428	ASIBR 04T010-1006	4	0.1	0.5	27.3	1	6	0.1	16,80
80090432	ASIBR 04T010-1709	4	0.1	0.7	27.3	1.7	9	0.2	16,80
80090436	ASIBR 04T010-2209	4	0.1	1	27.3	2.2	9	0.2	16,80
80090437	ASIBR 04T010-2213	4	0.1	1	32.3	2.2	13	0.2	16,80
80090441	ASIBR 04T015-2710	4	0.15	1.2	27.3	2.7	10	0.2	16,80
80090442	ASIBR 04T015-2715	4	0.15	1.2	32.3	2.7	15	0.2	16,80
80090446	ASIBR 04T015-3210	4	0.15	1.5	27.3	3.2	10	0.2	16,10
80090447	ASIBR 04T015-3215	4	0.15	1.5	32.3	3.2	15	0.2	16,80
80090448	ASIBR 04T015-3220	4	0.15	1.5	37.3	3.2	20	0.2	16,80
80090453	ASIBR 04T015-4210	4	0.15	2	27.3	4.2	10	0.3	16,10
80090454	ASIBR 04T015-4215	4	0.15	2	32.3	4.2	15	0.3	16,10
80090455	ASIBR 04T015-4220	4	0.15	2	37.3	4.2	20	0.3	16,10
80090456	ASIBR 04T015-4225	4	0.15	2	42.3	4.2	25	0.3	16,80
80090459	ASIBR 05T020-5210	5	0.2	2.5	32.3	5.2	10	0.5	17,30
80090460	ASIBR 05T020-5220	5	0.2	2.5	42.3	5.2	20	0.5	18,70
80090461	ASIBR 05T020-5225	5	0.2	2.5	47.3	5.2	25	0.5	20,30
80090462	ASIBR 05T020-5230	5	0.2	2.5	52.3	5.2	30	0.5	20,30
80090463	ASIBR 05T020-5235	5	0.2	2.5	57.3	5.2	35	0.5	22,30
80090464	ASIBR 05T020-5240	5	0.2	2.5	62.3	5.2	40	0.5	22,90
80090466	ASIBR 06T020-6215	6	0.2	3	37.3	6.2	15	0.5	19,70
80090467	ASIBR 06T020-6220	6	0.2	3	42.3	6.2	20	0.5	20,70
80090470	ASIBR 06T020-6235	6	0.2	3	57.3	6.2	35	0.5	26,10
80090471	ASIBR 06T020-6240	6	0.2	3	62.3	6.2	40	0.5	28,40

ASIGR tip S Mikro nož za utore

ACHTECK



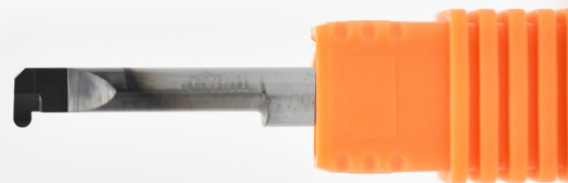
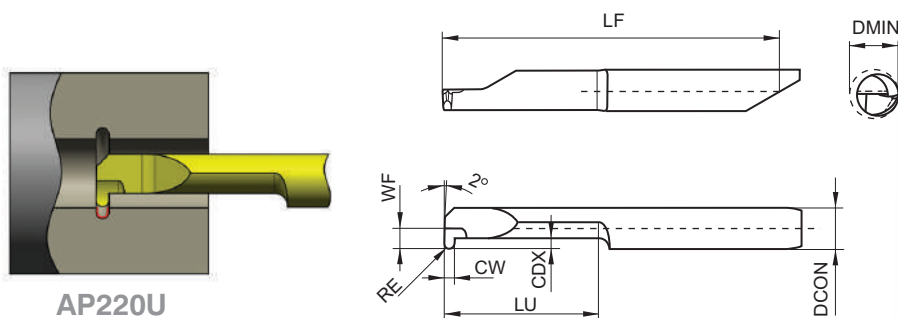
AP220U



Kat. št.	Oznaka	DCON	CW	WF	LF	DMIN	LU	CDX	Cena/kos
80090591	ASIGR 04S050-2012	4	0.5	2	29.3	2	12	0.4	16,80
80090595	ASIGR 04S100-4210	4	1.0	2	27.3	4.2	10	0.8	16,10
80090596	ASIGR 04S100-4215	4	1.0	2	32.3	4.2	15	0.8	16,10
80090597	ASIGR 04S100-4220	4	1.0	2	37.3	4.2	20	0.8	16,10
80090599	ASIGR 05S100-5215	5	1.0	2.5	37.3	5.2	15	1.0	17,30
80090601	ASIGR 05S100-5225	5	1.0	2.5	47.3	5.2	25	1.0	20,30
80090603	ASIGR 05S100-5235	5	1.0	2.5	57.3	5.2	35	1.0	22,30
80090605	ASIGR 05S150-5215	5	1.5	2.5	37.3	5.2	15	1.0	17,30
80090607	ASIGR 05S150-5225	5	1.5	2.5	47.3	5.2	25	1.0	20,30
80090611	ASIGR 05S200-5215	5	2.0	2.5	37.3	5.2	15	1.0	17,30
80090612	ASIGR 05S200-5220	5	2.0	2.5	42.3	5.2	20	1.0	18,70
80090613	ASIGR 05S200-5225	5	2.0	2.5	47.3	5.2	25	1.0	20,30
80090616	ASIGR 06S100-6215	6	1.0	3	37.3	6.2	15	1.8	19,70
80090618	ASIGR 06S100-6225	6	1.0	3	47.3	6.2	25	1.8	20,70
80090619	ASIGR 06S100-6230	6	1.0	3	52.3	6.2	30	1.8	23,70
80090621	ASIGR 06S100-6240	6	1.0	3	62.3	6.2	40	1.8	28,40
80090623	ASIGR 06S150-6215	6	1.5	3	37.3	6.2	15	1.8	19,70
80090625	ASIGR 06S150-6225	6	1.5	3	47.3	6.2	25	1.8	20,70
80090627	ASIGR 06S150-6235	6	1.5	3	57.3	6.2	35	1.8	26,10
80090629	ASIGR 06S200-6215	6	2.0	3	37.3	6.2	15	1.8	19,70
80090631	ASIGR 06S200-6225	6	2.0	3	47.3	6.2	25	1.8	20,70
80090632	ASIGR 06S200-6230	6	2.0	3	52.3	6.2	30	1.8	23,70

ASIGR tip R Radiusni mikro nož za utore

ACHTECK

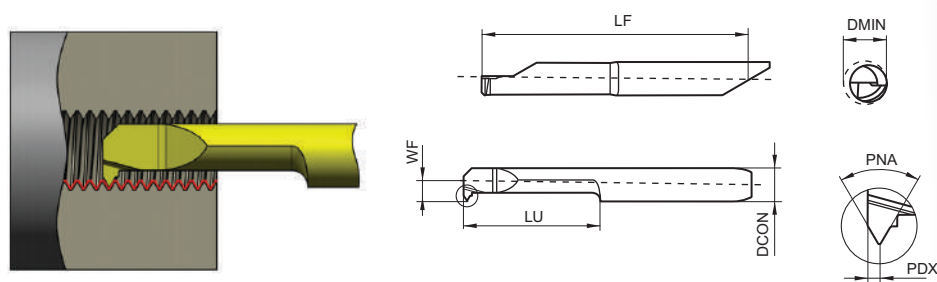


AP220U

Kat. št.	Oznaka	DCON	RE	WF	LF	DMIN	LU	CDX	Cena/kos
80090683	ASIGR 04R100-4215	4	1	2	32.3	4.2	15	0.8	16,10
80090684	ASIGR 05R100-5220	5	1	2.5	42.3	5.2	20	1.0	18,70
80090685	ASIGR 05R150-5220	5	1.5	2.5	42.3	5.2	20	1.0	18,70
80090686	ASIGR 05R200-5220	5	2	2.5	42.3	5.2	20	1.0	18,70
80090688	ASIGR 06R150-6225	6	1.5	3	47.3	6.2	25	1.8	20,70

ASITR tip V Navojni mikro nož

ACHTECK

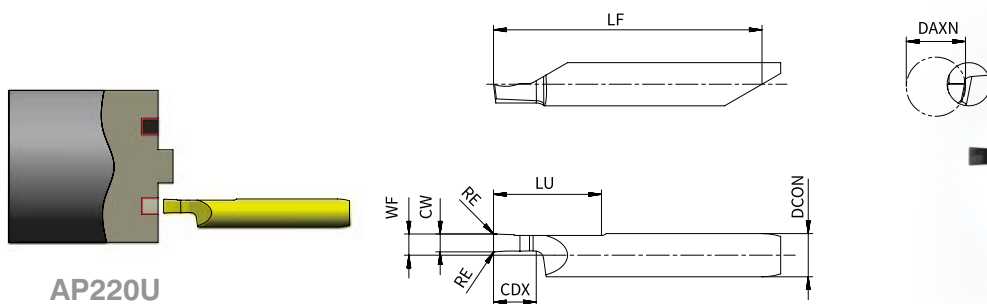


AP220U

Kat. št.	Oznaka	DCON	PDX	PNA	WF	LF	P	DMIN	LU	Cena/kos
80090849	ASITR 04V050-4215	4	0.4	60°	2	32.7	0.5-0.7	4.2	15	16,10
80090850	ASITR 05V050-5215	5	0.4	60°	2.5	37.7	0.5-0.75	5.2	15	17,30
80090851	ASITR 05V070-5115	5	0.5	60°	2.4	37.8	0.7-1	5.1	15	17,30
80090852	ASITR 05V100-4815	5	0.6	60°	2.3	37.9	1-1.25	4.8	15	17,30
80090853	ASITR 06V100-6215	6	0.6	60°	3	37.9	1-1.25	6.2	15	19,80
80090854	ASITR 06V125-6215	6	0.8	60°	3	38.1	1.25-1.5	6.2	15	19,80
80090855	ASITR 06V150-6215	6	1.0	60°	3	38.3	1.5-1.75	6.2	15	19,80

ASIFR tip B Mikro nož za čelno poglablanje

ACHTECK

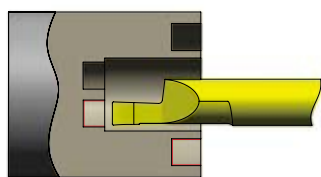


AP220U

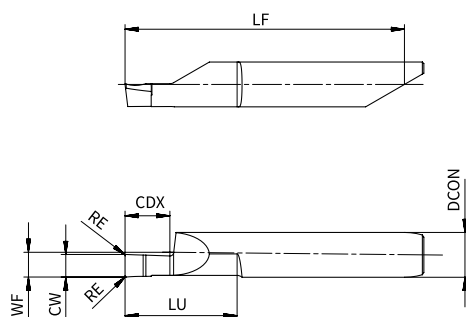
Kat. št.	Oznaka	DCON	CW	WF	RE	LF	DAXN	LU	CDX	Cena/kos
80090829	ASIFR 06B150-6215	6	1.5	3	0.15	37.3	6.2	15	3	20,70
80090830	ASIFR 06B200-6215	6	2	3	0.15	37.3	6.2	15	4	20,70
80090831	ASIFR 06B250-6215	6	2.5	3	0.15	37.3	6.2	15	5	20,70
80090832	ASIFR 06B300-6215	6	3	3	0.15	37.3	6.2	15	6	20,70

ASIFR tip A Mikro nož za čelno poglablanje

ACHTECK



AP220U

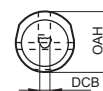
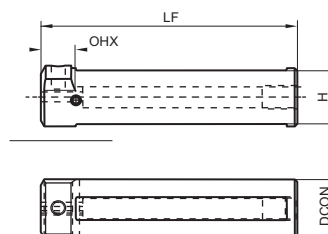


Kat. št.	Oznaka	DCON	CW	WF	RE	LF	DAXN	LU	CDX	Cena/kos
80090817	ASIFR 06A100-6215	6	1	3	0.15	37.3	6.2	15	2	20,70
80090818	ASIFR 06A150-6215	6	1.5	3	0.15	37.3	6.2	15	3	20,70
80090819	ASIFR 06A200-6215	6	2	3	0.15	37.3	6.2	15	4	20,70
80090820	ASIFR 06A250-6215	6	2.5	3	0.15	37.3	6.2	15	5	20,70

ASI Držalo mikro noža

AP220U

od: **70,60**
cena/kos



Kat. št.	Oznaka	DCB	DCON	LF	H	Cena/kos
80091802	ASI 0012-04	4	12	70	10	70,60
80091803	ASI 0012-05	5	12	70	10	70,60
80091435	ASI 0012-06	6	12	70	10	70,60
80087365	ASI 0016-04	4	16	75	14	70,60
80088303	ASI 0016-05	5	16	75	14	70,60
80091804	ASI 0016-06	6	16	75	14	70,60
80087353	ASI 0020-04	4	20	90	18	82,30
80091806	ASI 0020-05	5	20	90	18	82,30
80091807	ASI 0020-06	6	20	90	18	82,30

ACHTECK

NOVO

