

MIKRO STRUŽENJE

Posebna ponudba



ASIGR tip S

Mikro nož za utore



03

ASIBR tip T

Mikro nož za izvrtine



03

ASIFR tip A

Mikro nož za čelno poglabljanje



04

ASITR tip V

Navojni mikro nož



04

ASIGR tip R

Radijsni mikro nož
za utore

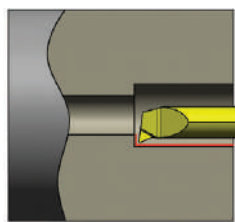


04

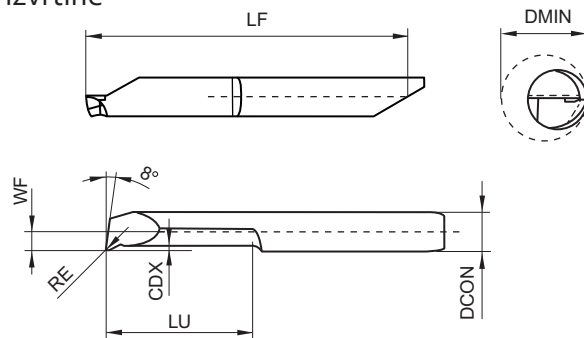
Do prodaje zalog!

ASIBR tip T Mikro nož za izvrtine

ACHTECK



AP220U



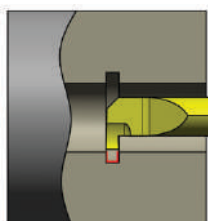
[CLICK HERE](#)



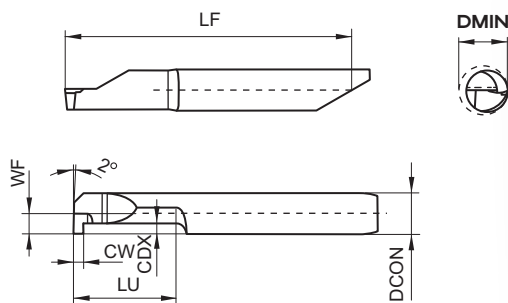
| Kat. št. | Oznaka | DCON | RE | WF | LF | DMIN | LU | CDX | Cena/kos |
|----------|-------------------|------|------|-----|------|------|----|-----|----------|
| 80090428 | ASIBR 04T010-1006 | 4 | 0.1 | 0.5 | 27.3 | 1 | 6 | 0.1 | 16,80 |
| 80090432 | ASIBR 04T010-1709 | 4 | 0.1 | 0.7 | 27.3 | 1.7 | 9 | 0.2 | 16,80 |
| 80090436 | ASIBR 04T010-2209 | 4 | 0.1 | 1 | 27.3 | 2.2 | 9 | 0.2 | 16,80 |
| 80090437 | ASIBR 04T010-2213 | 4 | 0.1 | 1 | 32.3 | 2.2 | 13 | 0.2 | 16,80 |
| 80090441 | ASIBR 04T015-2710 | 4 | 0.15 | 1.2 | 27.3 | 2.7 | 10 | 0.2 | 16,80 |
| 80090442 | ASIBR 04T015-2715 | 4 | 0.15 | 1.2 | 32.3 | 2.7 | 15 | 0.2 | 16,80 |
| 80090446 | ASIBR 04T015-3210 | 4 | 0.15 | 1.5 | 27.3 | 3.2 | 10 | 0.2 | 16,10 |
| 80090447 | ASIBR 04T015-3215 | 4 | 0.15 | 1.5 | 32.3 | 3.2 | 15 | 0.2 | 16,80 |
| 80090448 | ASIBR 04T015-3220 | 4 | 0.15 | 1.5 | 37.3 | 3.2 | 20 | 0.2 | 16,80 |
| 80090453 | ASIBR 04T015-4210 | 4 | 0.15 | 2 | 27.3 | 4.2 | 10 | 0.3 | 16,10 |
| 80090454 | ASIBR 04T015-4215 | 4 | 0.15 | 2 | 32.3 | 4.2 | 15 | 0.3 | 16,10 |
| 80090455 | ASIBR 04T015-4220 | 4 | 0.15 | 2 | 37.3 | 4.2 | 20 | 0.3 | 16,10 |
| 80090456 | ASIBR 04T015-4225 | 4 | 0.15 | 2 | 42.3 | 4.2 | 25 | 0.3 | 16,80 |
| 80090459 | ASIBR 05T020-5210 | 5 | 0.2 | 2.5 | 32.3 | 5.2 | 10 | 0.5 | 17,30 |
| 80090460 | ASIBR 05T020-5220 | 5 | 0.2 | 2.5 | 42.3 | 5.2 | 20 | 0.5 | 18,70 |
| 80090461 | ASIBR 05T020-5225 | 5 | 0.2 | 2.5 | 47.3 | 5.2 | 25 | 0.5 | 20,30 |
| 80090462 | ASIBR 05T020-5230 | 5 | 0.2 | 2.5 | 52.3 | 5.2 | 30 | 0.5 | 20,30 |
| 80090463 | ASIBR 05T020-5235 | 5 | 0.2 | 2.5 | 57.3 | 5.2 | 35 | 0.5 | 22,30 |
| 80090464 | ASIBR 05T020-5240 | 5 | 0.2 | 2.5 | 62.3 | 5.2 | 40 | 0.5 | 22,90 |
| 80090466 | ASIBR 06T020-6215 | 6 | 0.2 | 3 | 37.3 | 6.2 | 15 | 0.5 | 19,70 |
| 80090467 | ASIBR 06T020-6220 | 6 | 0.2 | 3 | 42.3 | 6.2 | 20 | 0.5 | 20,70 |
| 80090470 | ASIBR 06T020-6235 | 6 | 0.2 | 3 | 57.3 | 6.2 | 35 | 0.5 | 26,10 |
| 80090471 | ASIBR 06T020-6240 | 6 | 0.2 | 3 | 62.3 | 6.2 | 40 | 0.5 | 28,40 |

ASIGR tip S Mikro nož za utore

ACHTECK



AP220U



[CLICK HERE](#)

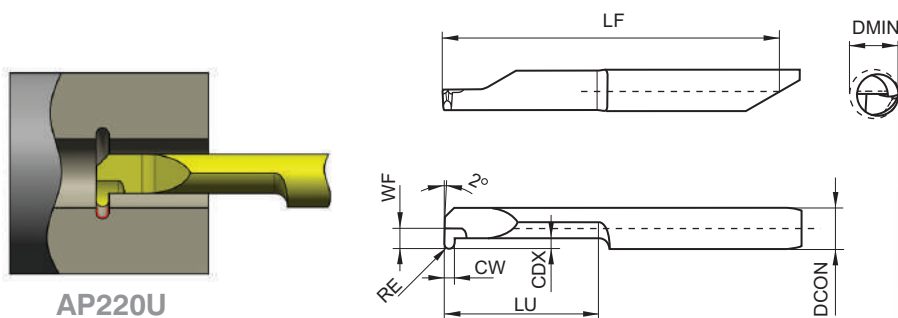


| Kat. št. | Oznaka | DCON | CW | WF | LF | DMIN | LU | CDX | Cena/kos |
|----------|-------------------|------|-----|-----|------|------|----|-----|----------|
| 80090591 | ASIGR 04S050-2012 | 4 | 0.5 | 2 | 29.3 | 2 | 12 | 0.4 | 16,80 |
| 80090595 | ASIGR 04S100-4210 | 4 | 1.0 | 2 | 27.3 | 4.2 | 10 | 0.8 | 16,10 |
| 80090596 | ASIGR 04S100-4215 | 4 | 1.0 | 2 | 32.3 | 4.2 | 15 | 0.8 | 16,10 |
| 80090597 | ASIGR 04S100-4220 | 4 | 1.0 | 2 | 37.3 | 4.2 | 20 | 0.8 | 16,10 |
| 80090599 | ASIGR 05S100-5215 | 5 | 1.0 | 2.5 | 37.3 | 5.2 | 15 | 1.0 | 17,30 |
| 80090601 | ASIGR 05S100-5225 | 5 | 1.0 | 2.5 | 47.3 | 5.2 | 25 | 1.0 | 20,30 |
| 80090603 | ASIGR 05S100-5235 | 5 | 1.0 | 2.5 | 57.3 | 5.2 | 35 | 1.0 | 22,30 |
| 80090605 | ASIGR 05S150-5215 | 5 | 1.5 | 2.5 | 37.3 | 5.2 | 15 | 1.0 | 17,30 |
| 80090607 | ASIGR 05S150-5225 | 5 | 1.5 | 2.5 | 47.3 | 5.2 | 25 | 1.0 | 20,30 |
| 80090611 | ASIGR 05S200-5215 | 5 | 2.0 | 2.5 | 37.3 | 5.2 | 15 | 1.0 | 17,30 |
| 80090612 | ASIGR 05S200-5220 | 5 | 2.0 | 2.5 | 42.3 | 5.2 | 20 | 1.0 | 18,70 |
| 80090613 | ASIGR 05S200-5225 | 5 | 2.0 | 2.5 | 47.3 | 5.2 | 25 | 1.0 | 20,30 |
| 80090616 | ASIGR 06S100-6215 | 6 | 1.0 | 3 | 37.3 | 6.2 | 15 | 1.8 | 19,70 |
| 80090618 | ASIGR 06S100-6225 | 6 | 1.0 | 3 | 47.3 | 6.2 | 25 | 1.8 | 20,70 |
| 80090619 | ASIGR 06S100-6230 | 6 | 1.0 | 3 | 52.3 | 6.2 | 30 | 1.8 | 23,70 |
| 80090621 | ASIGR 06S100-6240 | 6 | 1.0 | 3 | 62.3 | 6.2 | 40 | 1.8 | 28,40 |
| 80090623 | ASIGR 06S150-6215 | 6 | 1.5 | 3 | 37.3 | 6.2 | 15 | 1.8 | 19,70 |
| 80090625 | ASIGR 06S150-6225 | 6 | 1.5 | 3 | 47.3 | 6.2 | 25 | 1.8 | 20,70 |
| 80090627 | ASIGR 06S150-6235 | 6 | 1.5 | 3 | 57.3 | 6.2 | 35 | 1.8 | 26,10 |
| 80090629 | ASIGR 06S200-6215 | 6 | 2.0 | 3 | 37.3 | 6.2 | 15 | 1.8 | 19,70 |
| 80090631 | ASIGR 06S200-6225 | 6 | 2.0 | 3 | 47.3 | 6.2 | 25 | 1.8 | 20,70 |
| 80090632 | ASIGR 06S200-6230 | 6 | 2.0 | 3 | 52.3 | 6.2 | 30 | 1.8 | 23,70 |

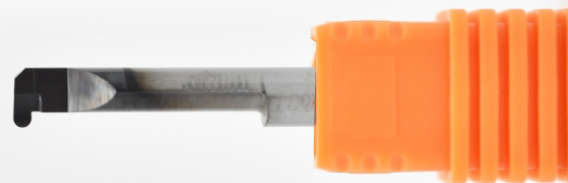
ASIGR tip R Radiusni mikro nož za utore

[CLICK HERE](#)

ACHTECK



AP220U

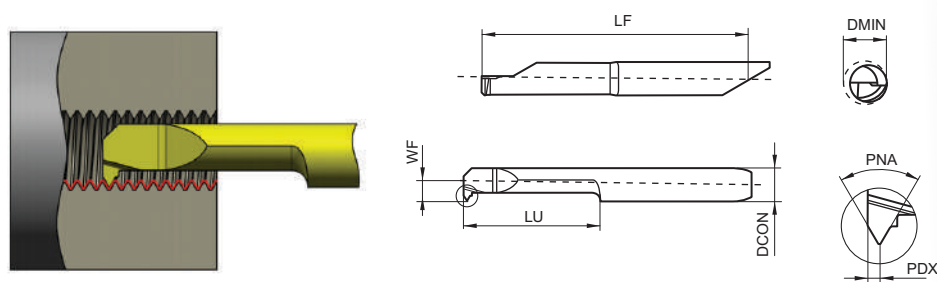


| Kat. št. | Oznaka | DCON | RE | WF | LF | DMIN | LU | CDX | Cena/kos |
|----------|-------------------|------|-----|-----|------|------|----|-----|----------|
| 80090683 | ASIGR 04R100-4215 | 4 | 1 | 2 | 32.3 | 4.2 | 15 | 0.8 | 16,10 |
| 80090684 | ASIGR 05R100-5220 | 5 | 1 | 2.5 | 42.3 | 5.2 | 20 | 1.0 | 18,70 |
| 80090685 | ASIGR 05R150-5220 | 5 | 1.5 | 2.5 | 42.3 | 5.2 | 20 | 1.0 | 18,70 |
| 80090686 | ASIGR 05R200-5220 | 5 | 2 | 2.5 | 42.3 | 5.2 | 20 | 1.0 | 18,70 |
| 80090688 | ASIGR 06R150-6225 | 6 | 1.5 | 3 | 47.3 | 6.2 | 25 | 1.8 | 20,70 |

ASITR tip V Navojni mikro nož

[CLICK HERE](#)

ACHTECK



AP220U

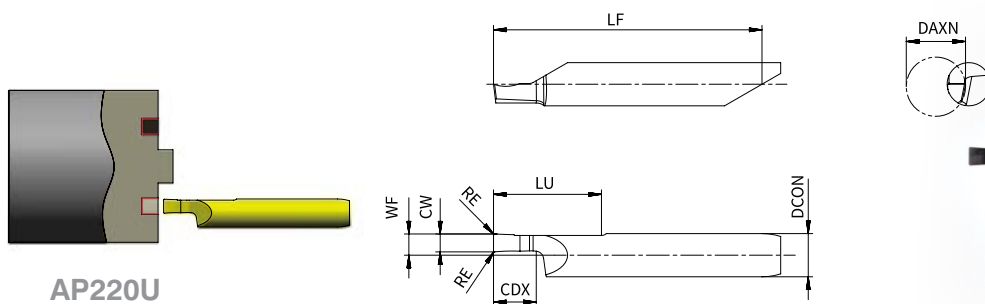


| Kat. št. | Oznaka | DCON | PDX | PNA | WF | LF | P | DMIN | LU | Cena/kos |
|----------|-------------------|------|-----|-----|-----|------|----------|------|----|----------|
| 80090849 | ASITR 04V050-4215 | 4 | 0.4 | 60° | 2 | 32.7 | 0.5-0.7 | 4.2 | 15 | 16,10 |
| 80090850 | ASITR 05V050-5215 | 5 | 0.4 | 60° | 2.5 | 37.7 | 0.5-0.75 | 5.2 | 15 | 17,30 |
| 80090851 | ASITR 05V070-5115 | 5 | 0.5 | 60° | 2.4 | 37.8 | 0.7-1 | 5.1 | 15 | 17,30 |
| 80090852 | ASITR 05V100-4815 | 5 | 0.6 | 60° | 2.3 | 37.9 | 1-1.25 | 4.8 | 15 | 17,30 |
| 80090853 | ASITR 06V100-6215 | 6 | 0.6 | 60° | 3 | 37.9 | 1-1.25 | 6.2 | 15 | 19,80 |
| 80090854 | ASITR 06V125-6215 | 6 | 0.8 | 60° | 3 | 38.1 | 1.25-1.5 | 6.2 | 15 | 19,80 |
| 80090855 | ASITR 06V150-6215 | 6 | 1.0 | 60° | 3 | 38.3 | 1.5-1.75 | 6.2 | 15 | 19,80 |

ASIFR tip B Mikro nož za čelno poglablanje

[CLICK HERE](#)

ACHTECK



AP220U

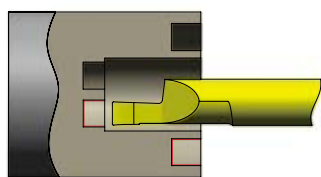


| Kat. št. | Oznaka | DCON | CW | WF | RE | LF | DAXN | LU | CDX | Cena/kos |
|----------|-------------------|------|-----|----|------|------|------|----|-----|----------|
| 80090829 | ASIFR 06B150-6215 | 6 | 1.5 | 3 | 0.15 | 37.3 | 6.2 | 15 | 3 | 20,70 |
| 80090830 | ASIFR 06B200-6215 | 6 | 2 | 3 | 0.15 | 37.3 | 6.2 | 15 | 4 | 20,70 |
| 80090831 | ASIFR 06B250-6215 | 6 | 2.5 | 3 | 0.15 | 37.3 | 6.2 | 15 | 5 | 20,70 |
| 80090832 | ASIFR 06B300-6215 | 6 | 3 | 3 | 0.15 | 37.3 | 6.2 | 15 | 6 | 20,70 |

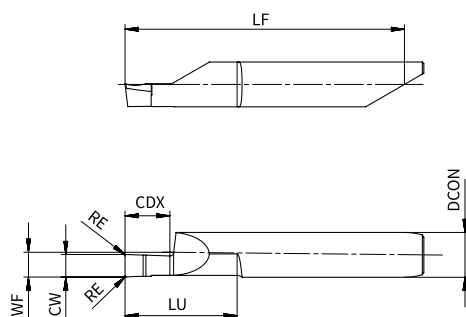
ASIFR tip A Mikro nož za čelno poglablanje

[CLICK HERE](#)

ACHTECK



AP220U



| Kat. št. | Oznaka | DCON | CW | WF | RE | LF | DAXN | LU | CDX | Cena/kos |
|----------|-------------------|------|-----|----|------|------|------|----|-----|----------|
| 80090817 | ASIFR 06A100-6215 | 6 | 1 | 3 | 0.15 | 37.3 | 6.2 | 15 | 2 | 20,70 |
| 80090818 | ASIFR 06A150-6215 | 6 | 1.5 | 3 | 0.15 | 37.3 | 6.2 | 15 | 3 | 20,70 |
| 80090819 | ASIFR 06A200-6215 | 6 | 2 | 3 | 0.15 | 37.3 | 6.2 | 15 | 4 | 20,70 |
| 80090820 | ASIFR 06A250-6215 | 6 | 2.5 | 3 | 0.15 | 37.3 | 6.2 | 15 | 5 | 20,70 |

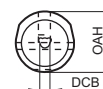
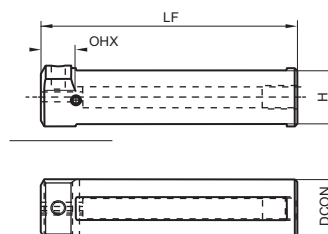
ASI Držalo mikro noža

AP220U

od: **70,60**
cena/kos



[CLICK HERE](#)



| Kat. št. | Oznaka | DCB | DCON | LF | H | Cena/kos |
|----------|-------------|-----|------|----|----|----------|
| 80091802 | ASI 0012-04 | 4 | 12 | 70 | 10 | 70,60 |
| 80091803 | ASI 0012-05 | 5 | 12 | 70 | 10 | 70,60 |
| 80091435 | ASI 0012-06 | 6 | 12 | 70 | 10 | 70,60 |
| 80087365 | ASI 0016-04 | 4 | 16 | 75 | 14 | 70,60 |
| 80088303 | ASI 0016-05 | 5 | 16 | 75 | 14 | 70,60 |
| 80091804 | ASI 0016-06 | 6 | 16 | 75 | 14 | 70,60 |
| 80087353 | ASI 0020-04 | 4 | 20 | 90 | 18 | 82,30 |
| 80091806 | ASI 0020-05 | 5 | 20 | 90 | 18 | 82,30 |
| 80091807 | ASI 0020-06 | 6 | 20 | 90 | 18 | 82,30 |

ACHTECK

NOVO

